

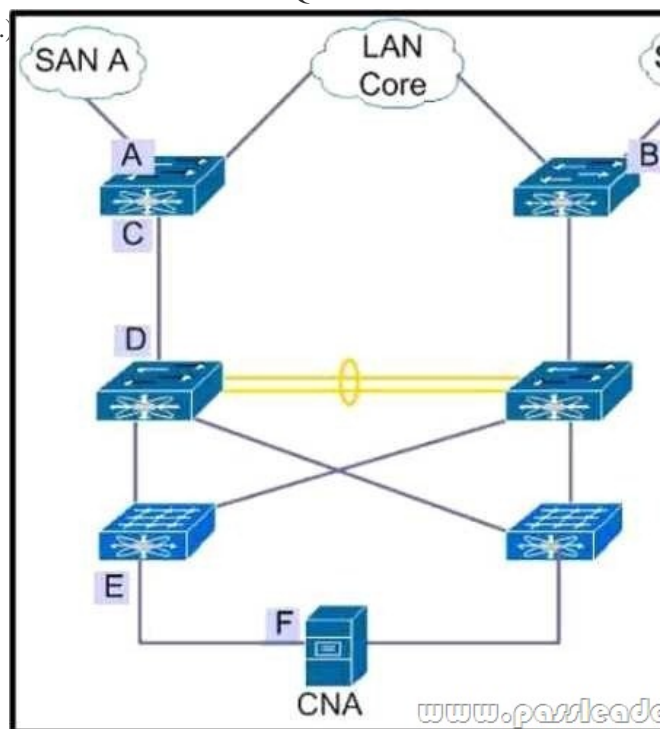
[3/April/2019 Updated Download New PassLeader 225q 200-155 Exam Questions And Passing Exam Easily

New Updated 200-155 Exam Questions from PassLeader 200-155 PDF dumps! Welcome to download the newest PassLeader 200-155 VCE dumps: <https://www.passleader.com/200-155.html> (225 Q&As) Keywords: 200-155 exam dumps, 200-155 exam questions, 200-155 VCE dumps, 200-155 PDF dumps, 200-155 practice tests, 200-155 study guide, 200-155 braindumps, Introducing Cisco Data Center Technologies - DCICT Exam P.S. New 200-155 DCICT dumps PDF:

https://drive.google.com/open?id=0B-ob6L_QjGLpVDZMT3ZJNndjMXM P.S. New 200-150 DCICN dumps PDF:

https://drive.google.com/open?id=0B-ob6L_QjGLpd2NaelloZ0JsQU0 NEW QUESTION 211A user logs into a Cisco Nexus 7000 Series device and issues a show vpc brief command but the user does not see any output. What could cause this issue? A. The user needs to enable the vPC feature.B. The user does not have admin level privilege.C. The vPC peer link is down.D. The command is not valid. Answer: A NEW QUESTION 212Which two descriptions of a virtual interface card are true? (Choose two.)

A. consolidates SAN and LAN networks into a single network and increases the number of physical connectorsB. physical network adapter that allows you to create multiple virtual NICs and HBAsC. can have unique adapter polities applied to each vNIC and each vHBAD. decreases total cost of ownership by physically separating traffic between multiple vNICs and vHBAsE. highly efficient and physically segments LAN and SAN traffic into different networks Answer: CD NEW QUESTION 213Refer to the exhibit. Which two ports are VE ports in this FCoE topology? (Choose two.)



A. AB. BC. CD. DE. EF. F Answer: CD NEW QUESTION 214Refer to the exhibit. Which benefit of a vHBA template pair is true?

Properties

Name : vHBA1

Description :

Owner : Local

Fabric ID : A * B

Redundancy

Redundancy Type : No Redundancy Primary Template Secondary Template

Peer Redundancy Template : vHEA0 Create vHBA Template

VSAN : 100

Target : Adapter

Template Type : Initial Template Updating Template

Max Data Field Size : 2048

Policies

WWPN Pool : derived

GoS Policy : <not set>

Pin Group : <not set>

Stats Threshold Policy : <not set>

www.passleader.com

- A. Requires that you configure vHBA pairs independently.
- B. Allows the use of fewer IP addresses in the WWPN pool.
- C. Enables you to group vHBAs that share attributes.
- D. Provides redundancy by linking to another template that uses fabric B.

Answer: D NEW QUESTION 215 Which two server properties can be defined within a service profile? (Choose two.)

- A. RAID controller type
- B. CPU speed
- C. Memory capacity
- D. MAC address
- E. NIC count

Answer: AD NEW QUESTION 216 Which two cloud types are deployment models used in cloud computing? (Choose two.)

- A. collapsed cloud
- B. hybrid cloud
- C. public cloud
- D. layered cloud
- E. automatic cloud

Answer: BC NEW QUESTION 217 Which equipment policy is directly affected by the number of links between a fabric interconnect and an I/O module?

- A. global power allocation policy
- B. rack management connection policy
- C. firmware auto sync server policy
- D. chassis/FEX discovery policy

Answer: D NEW QUESTION 218 Refer to the exhibit. Which description of the workflow is true?



A. It attempts to associate the service profile to another blade. B. It completes in a failed state. C. It pauses while waiting for user input. D. It deletes the service profile. Answer: A
NEW QUESTION 219 Which option accurately describes the utility of a service offering in Cisco UCS Director? A. describes the application requirements B. selects resources based on the application requirements C. describes the capabilities of a hardware component D. describes the infrastructure that is required for the deployment of an application Answer: B
NEW QUESTION 220 How does a Cisco APIC discover a new switch in the fabric? A. by using a defined APIC policy B. by querying an APIC cluster node C. by using a cascading discovery process D. by using SNMP Answer: C
NEW QUESTION 221 Drag and Drop Drag and drop the Cisco Unified Fabric feature characteristics on the left to the correct technology on the right

Virtualized switching	Unified ports
Deployment flexibility	OTV
Layer 2 mobility	VDC
VM-aware networking	Cisco Nexus 1000V Series

Answer:

	Layer 2 mobility
	Virtualized switching
	VM-aware networking
	Deployment flexibility

NEW QUESTION 222 Which description of a Cisco Nexus 1000V VSM module is true? A. It runs over the data plane. B. It is responsible for communications with VMware. C. It provides a data plane of the 1000v system. D. It is responsible for communications with VMware vCenter and the VEM configuration. Answer: D
NEW QUESTION 223 Download the newest PassLeader 200-155 dumps from passleader.com now! 100% Pass Guarantee! 200-155 PDF dumps & 200-155 VCE dumps: <https://www.passleader.com/200-155.html> (225 Q&As) (New Questions Are 100% Available and Wrong Answers Have Been Corrected! Free VCE simulator!) P.S. New 200-155 DCICT dumps PDF: https://drive.google.com/open?id=0B-ob6L_QjGLpVDZMT3ZJNndjMXM P.S. New 200-150 DCICN dumps PDF: https://drive.google.com/open?id=0B-ob6L_QjGLpd2NaelloZ0JsQU0